

SEEDING

PARTS SALE

ON NOW

2023

PRICES VALID UNTIL
MAY 31ST 2023

BATCHMASTER 1200

Batchmaster is the largest chemical batching unit on the market holding 1200 litres.

STANDARD

BM1200 \$11,899+GST

WITH SCALES

BM1200S \$15,150+GST



RECON WIRELESS BLOCKAGE & FLOW MONITOR



MUST HAVE THIS SEEDING!

IN STOCK NOW!



+ MUCH MORE

VIEW FULL CATALOGUE IN STORE OR ONLINE

**BIG BRANDS
HUGE SAVINGS**
INCLUDING:



*TERMS AND CONDITIONS APPLY, SEE IN STORE FOR FULL DETAILS.
NOT ALL PRODUCTS LISTED ARE AVAILABLE IN ALL DEALERSHIPS.
PRICING AND SPECIFICATIONS ARE SUBJECT TO CHANGE.
PRICES EXCLUDE GST, EXCLUDE DEALER INSTALLATION AND/OR FREIGHT CHARGES.

PLM BUNDLE SPECIALS



SEEDING PARTS SALE ON NOW



XCN-1050™ EZ-PILOT® BUNDLE

Kit Includes

- XCN-1050 display kit
- NAV-900 guidance controller kit
- EZ-Pilot kit (SAM-200, IMD-600 and cabling)
- NAV-900 to EZ-Pilot harness
- EZ-Pilot replacement steering wheel



Part No. ZTN19912180SP

STOCK AVAILABLE

\$9,000+GST

Kit does not include NAV-900 EZ-pilot licence or EZ-Pilot specific platform kit

UPGRADE YOUR PLM MODEM

What is MyPLM Connect?

New Holland developed MyPLM Connect as a Farm Management Information System that puts operators in control of their farm from any device, anytime, anywhere around the world. Through integrated solutions that link Farm, Fleet & Data, MyPLM Connect helps optimise time by delivering information to make informed agronomic decisions.

Get your equipment connected for these benefits:

- Accurate data collection through the new MyPLMconnect suite - Farm, Fleet and Data.
- Open - fully compatible with all brands of machine and implement. Giving you the flexibility to pick the right machines for your farm. Always.
- Connected - By keeping an eye on the online vehicle dashboard you can maximise uptime, improve productivity and efficiency and even optimise fuel consumption.
- Smart - An intuitive in-cab display means operators can efficiently browse key parameters and communicate with the farm.
- Supported - PLM Customer Support is always on hand to enable you to maximise the performance of your current package.



Only fittable to CNH serial numbered equipment
Part No. 51464593

\$3,938+GST

UPGRADE YOUR X20 TO X35 WITH IB-2

Kit Includes

- X35 console
Part No. 1007188-01
- Rocker power switch harness
Part No. 1006970-01
- Rate only harness
Part No. 1019154-01
- IB-2 seeder kit
Part No. 1030467-01



\$12,000+GST

Kit does not include fitment and freight. Available at selected stores only.

TOPCON APOLLO AIRSEEDER CONTROLLER

Features

- Industry leading seeder control with up to 8 product variable rate control
- ISO compliant ECU with ISO UT/TC capability (Max 4 product control in ISO mode)
- Apollo requires unlock for section control from TAP Marketplace when used in UT/ISO
- Compatible with Topcon KP-12 programmable Switchbox
- Liquid section control and blockage monitoring

Kit, 2 tank seeder Apollo Hyd
Part No. 1009060-01

\$10,278+GST

Kit, 3 tank seeder Apollo Hyd
Part No. 1009062-01

\$11,415+GST

Kit, 4 tank seeder Apollo Hyd
Part No. 1009064-01

\$12,555+GST



Kit does not include fan pressure sensor kit.

RAVEN RATE CONTROL MODULE

Features

- User-friendly universal controller for over 200 applications
- Flexible and very easy to use
- Easily manages up to five products
- 16-section control eliminates expensive skips and overlaps for all application phases
- Intuitive diagnostics and troubleshooting
- Compatible with ISOBUS Universal Terminals and Task Controllers
- P 67 environmental rating for the harshest of environmental conditions
- Dynamically configure run screen based on operator preferences to show most relevant data during operation.



\$2,884+GST

SALE ENDS MAY 31ST

*TERMS AND CONDITIONS APPLY. SEE IN STORE FOR FULL DETAILS.
PRICING AND SPECIFICATIONS ARE SUBJECT TO CHANGE.
NOT ALL PRODUCTS LISTED ARE AVAILABLE IN ALL DEALERSHIPS.
PRICES EXCLUDE GST, EXCLUDE DEALER INSTALLATION AND/OR FREIGHT CHARGES.

McINTOSH & SON
www.mcintoshandson.com.au

MNET

McIntosh & Son have invested in a premium RTK service, MNet.

RTK (Real-time Kinematic Positioning) is a satellite navigation technique used to enhance the precision of position-data, such as GPS.

SERVICE & SUPPORT

MNet subscription service includes yearly visits to each site to make sure everything is running correctly and efficiently.

McIntosh & Son will be managing farmers' subscriptions and overseeing the network once installed.

COMPATIBILITY

Machines and MNet are compatible and ready to go. All new machines can have MNet installed in them.

Part of the way MNet works means using the modem to surpass the RTK message instead of having a vehicle radio module.

LOCATIONS

Current MNet base stations span as far north as Geraldton and Ravensthorpe in the south. McIntosh & Son plan to expand their network, and locations will be based on enquiry.

PRICE

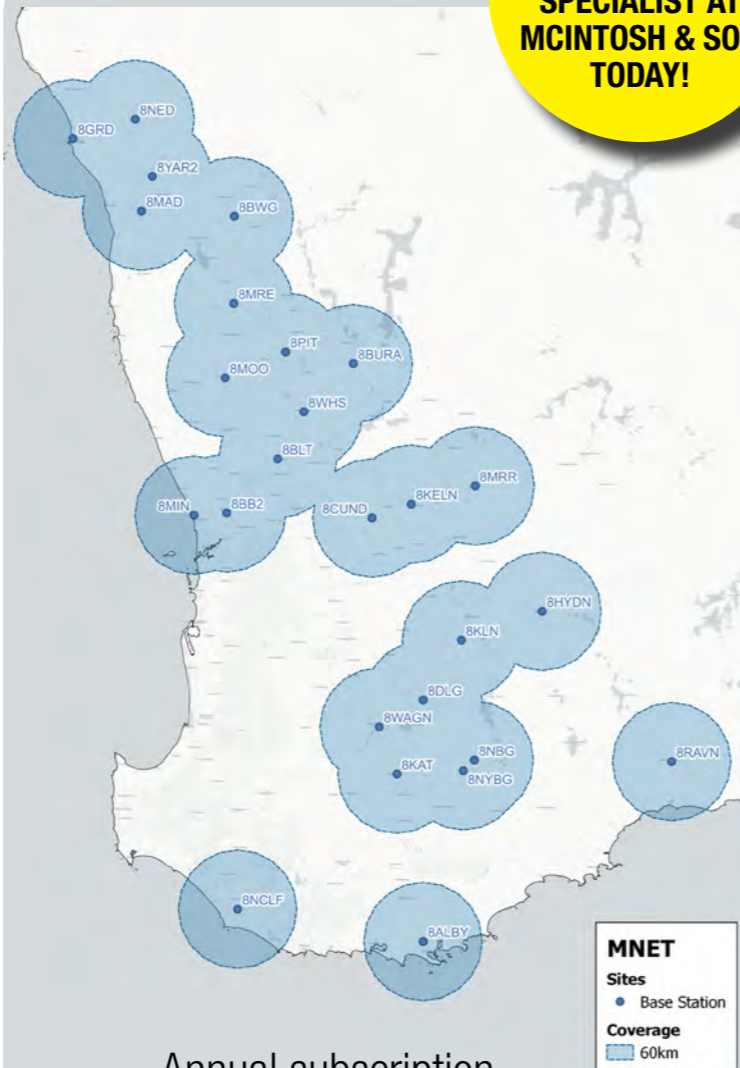
MNet offers an affordable way to maximise the potential of your precision agricultural systems. It is an extremely cost effective tool for operators with multiple machines.

An annual subscription is for FIVE logins (five machines at any one time) per year.

CONTACT

For further information about MNet, or to enquire about having a subscription on your property, contact the Precision Farming Specialist at your local McIntosh & Son dealership.

CONTACT YOUR PRECISION FARMING SPECIALIST AT MCINTOSH & SON TODAY!



MNET
 Sites
 • Base Station
 Coverage
 60km

Annual subscription

\$1,600_{+GST}

Buy 4 years,
get the 5th **FREE!**

\$6,400_{+GST}

CEL-FI GO

by NEXTIVITY
SMART SIGNAL REPEATER



CEL-FI GO CELLMATE

Part No. RPR-CF-00538
PORTABLE MOBILE REPEATER

- Hard-wearing case that moves with you
- Switch between vehicles and locations with ease
- Additional antenna may be required

\$1,899_{+GST}

CEL-FI GO INDOOR/OUTDOOR PACK

Part No. RPR-CF-00169

- INCLUDES:
- Cel-Fi GO repeater
 - Internal antenna and external antennas
 - Panel antenna with mount
 - Wireless 2way splitter
 - Required cables

\$1,599_{+GST}

CEL-FI GO HOME PACK

Part No. RPR-CF-00113

- INCLUDES:
- Cel-Fi GO repeater
 - 2x antennas
 - Required cables

WHILE STOCK LASTS!

\$999_{+GST}

CEL-FI GO RV/TRUCKER PACK

Part No. RPR-CF-00115

- INCLUDES:
- Cel-Fi GO repeater
 - Antennas
 - Required cab

\$999_{+GST}



100% legal and approved by all networks in Australia



Only 1 bar of 3G is needed to boost up to 4G connection



A single unit can provide up to 900m² of indoor coverage, multiple units can increase coverage even further



Mount options for vehicles, marine, caravan and transport applications



RECON WIRELESS BLOCKAGE & FLOW MONITOR

HOW DOES IT WORK?



1. As the seed leaves the manifold, it passes through our acoustic sensor.



2. The seed impacts a stainless steel membrane, creating a small pulse of sound that travels out through an auditory tube.



3. The pulses are collected by the electronic control unit (ECU), which relays information wirelessly to the cab.



4. Information arrives via Wi-Fi and is displayed on an Apple iPad or the virtual terminal (VT) display. If there's a blockage or even a decrease in flow, anywhere in the system, you'll know.



#1 SELLER FOR OVER 40 YEARS!

IN STOCK NOW!

EYE-VIEW

Rechargeable Wi-Fi Camera

- Wi-Fi to mobile device camera
- Up to 13hrs battery life
- Android & Apple compatible
- 0.6 Mega-Pixel camera lens with infrared night vision



Part No. 3206

\$305+GST

JACKAL MONITOR KIT

No sensors. Kit Includes:

- Jackal Monitor
- 5m power cable AC-105
- Suction mount bracket AH-407
- Screwdriver HM-506
- Green/Grey connection plugs P-321 and P-322



Part No. JACKAL-MONITOR

\$675+GST

VARIABLE RATE CONTROLLER

Variable Rate Airseeder Controller

The 7500 sets a standard in airseeding technology. With software developed from the ground up and with practical farmer feedback, the 7500 delivers unprecedented flexibility and control over airseeder operation together with an integrated USB facility and task control capabilities, ready to run manual or fully automatic variable rates.

UP TO THE CHALLENGE

- Update your ageing electronics on your airseeder
- All types of drives supported
- GPS compatible for Variable Rate Maps
- Touch screen interface
- Easy to use
- Tile & Tab display setup

NOW WITH FULL AS APPLIED MAPPING, VRC & LOAD CELLS

Part No. 7500



PACKAGE FROM \$4,500+GST

QUAD HD MONITOR & CAMERA KIT

Includes Screen, 2x HD cameras & 2x 10m extension cables, 1 x power & camera cable, 2 x monitor brackets (1 x fan style, 1 x U style)

- All-new Quad HD camera monitoring system
- In-built infrared LED's allowing them to see in dark and dusty conditions

7" Screen Kit Part No. 3100HD

\$620+GST

9" Screen Kit Part No. 3109HD

\$720+GST



DIGITAL WEIGH SCALES

Maximum 120kg / 20g increments

- Portable
- Heavy duty case



Part No. 2199

\$550+GST

CAMERA KIT SPARE PARTS

- Colour camera square \$145+GST Part No. 3101
- 7 pin trailer connector kit \$235+GST Part No. 3100-TC-4
- Camera extension cables:
 - 5m \$11+GST Part No. 3100-EXT-05M
 - 10m \$18+GST Part No. 3100-EXT-10M
 - 15m \$25+GST Part No. 3100-EXT-15M
 - 20m \$30+GST Part No. 3100-EXT-20M



PARTS FROM \$11+GST

NEW PLATINUM ADJUSTABLE RANGE

PLATINUM-PH02 (PH02)
PLATINUM KNIFE HOLDER WITH STABILISING STRAP

Stabilising strap for durability in rocky conditions. No loose or broken bolts.

Adjustable settings using bolt to move knife from 7" to 9". No fiddly pins.

NEW

PLATINUM-PK01 (PK01)
PLATINUM KNIFE

NEW

Knife made from Forged steel for enduring strength.

DESIGN REG (KNIVES): 335055
DESIGN REG (HOLDER): 335056

ORIGINAL QUICK CHANGE KNIVES

51-GHTRASH (51)

TRASH GUARD KIT SET

16-12NC8NBU (16)

18-12SQSW (18)

10-GHSPIN (10)

SPLIT PIN

12-GB12X3.14NC8B (12)

KNIFE

- Tapered cast steel head makes it easy to insert & remove in holder.
- Rear of knife tapered to increase wear life, 13mm at the front and 18mm at rear. Both point and holder are low profile allowing minimal soil throw, good trash handling.

38-12X1.34NC8B (38)

BOLT

9-GH005 (9)

CLEVIS PIN

- Never exposed to load and therefore can't be damaged

13-12NCNN (13)

GR8 NYLOCK NUTS

11-GH006 (11)

KNIFE HOLDER

- Takes the brunt of the load in combination with the load pad at the rear of the knife.
- Hugs shank neatly reducing likelihood of bolts loosening.
- Bolts are counter sunk in holder to cater for tapered knife head.
- Holder employs the same length bolts as standard points.

PLATINUM WEAR SHOE & WEAR SHOE HOLDER

PLATINUM-PB04 (PB04)

PLATINUM HEAVY DUTY ADJUSTABLE WEAR SHOE HOLDER

NEW

PLATINUM-PS03 (PS03)

PLATINUM HEAVY DUTY ADJUSTABLE STEM

- Part is attached using two counter sunk bolts and nuts.
- Height is adjusted sideways using either a pin and R clip or a 7/16" bolt and nut.

NEW

PLATINUM-PW48 (PW48)

PLATINUM 48MM WEAR SHOE

- Heavy duty flat tiles on sides and bottom.
- Wear Shoe is changed using a removeable roll pin.

NEW

PLATINUM-PW62 (PW62)

PLATINUM 62MM WEAR SHOE

FEATURES

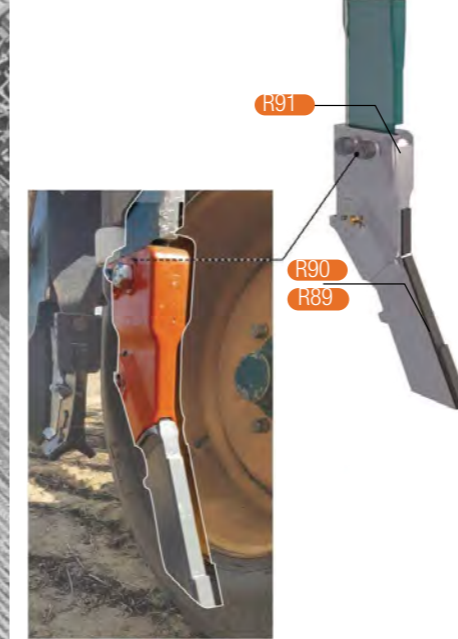
- Made from two parts - Wear Shoe Holder' and 'Wear Shoe'.
- Most heavy duty closing tool on the market.
- Highest quality tungsten carbide used.
- The holder provides the same bolt hole pattern as a genuine closing tool.
- The wear shoe is made from cast steel and is secured using a high tensile roll pin (roll pin does not receive any load).
- Thick casting on wear shoe and large tungsten tiles on all sizes eliminates premature wear and reduces replacement costs.

GROUNDHOG
INDUSTRIES

HEAD TO www.mcintoshandson.com.au/parts FOR FULL CATALOGUE

RHINO BLADE SYSTEM TO SUIT EQUALIZER

EQUALIZER TINE



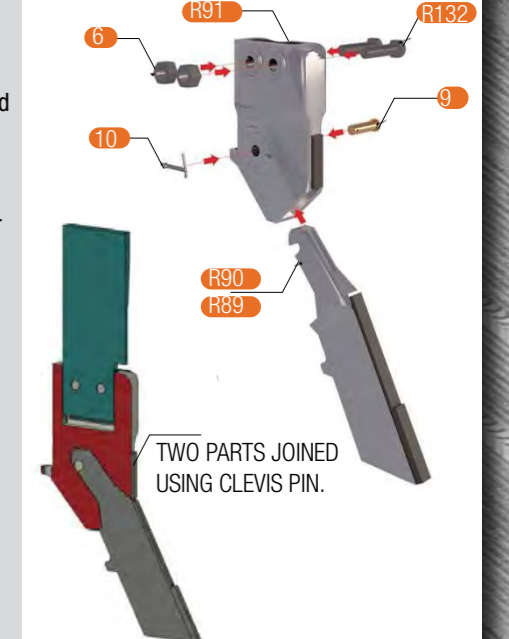
FEATURES

- The Rhino Blade System comprises of two parts - Holder and Blade.
- Holder and Blade are joined using a Clevis and Split Pin.
- The Rhino Blade and Holder are tapered to assist extraction.
- The Holder has a cast hole at rear to allow for liquid fertiliser tube.
- Two options of Straight Blade or Busting Blade.

CONE LOCK NUT M12
CLEVIS PIN
SPLIT PIN
RHINO STRAIGHT BLADE 6"
RHINO STRAIGHT BLADE 5"
RHINO BLADE HOLDER
BOLT M12 X 50

6-M12CONE
9-GH005
10-GHSPIN
R89-RSB
R90-RSB
R91-RBH
R132-B1250

CROSS SECTION



TWO PARTS JOINED USING CLEVIS PIN.

PARTS & ACCESSORIES

 4-GHSB (4) LONG BUSH SINTERED OIL IMPG. 5-GHLB (5)	 7-SP120 (7) HD SPRING 7A-HDS (7A)	 9-GH005 (9) SPLIT PIN BAG OF 50 10-GHSPIN (10)	 14-GHPWSEAL (14)	 15-PWB1 (15) PRESS WHEEL BEARING COVER 64-PWBCT (64)	 69-GFT (69) FERT TUBE BRACKET 70-FTB (70) STAINLESS SEED TUBE S3 94-SS1Y3 (94) STAINLESS SEED TUBE RCA 81-SS1 (81)
 123-SPK (123)	 60-BHOUSING (60) BUSH HOUSING NUT 61-BHN (61)	 42-PSH (42)	 43-STOPPER (43)	 44-RSPRING (44)	 45-SSPRING (45)
 46A-70SCRAPERV2 (46A) MUD SCRAPER 90MM S3 TINE 46B-90SCRAPERV3 (46B) MUD SCRAPER 70MM S3 TINE 46-70SCRAPERV3 (46)	 68-SAV2 (68) SCRAPER ARM V3 TINE 69-SAV3 (69)	 47-ARMUP (47) SIDE ARM LOWER (LONG) 48-ARMLOW (48)	 3-GPSEAL (3)	 20-GH32 (20) PLASTIC SEED BOOT - 42 ID 20A-GH42 (20A)	 108-BASP (108) PIN 25 X 64 SHANK PIVOT 119-P25X64 (119) PIN 25X75 JUMP CYLINDER 122-P1025X75 (122) PIN - JUMP CYL BASE 116-P200 (116) PIN SHANK PIVOT 116-P200 (116)

The seeding assemblies below include the parts pictured as well as all bolts and fasteners required for assembly. These configurations are examples only, other point and closer combinations are available.

HEAD TO www.mcintoshandson.com.au/parts FOR FULL CATALOGUE

ADJUSTA-POINT COMPLETE SEEDING ASSEMBLIES

<p>Standard Adjusta Point with Paired Row Seeker Wing</p> <p>Part No. PMB64611x2x</p> <p>FROM</p> <p>\$355+GST</p>	<p>Liquid Adjusta Point with Paired Row Seeker Wing</p> <p>Part No. PMB65611x2x</p> <p>FROM</p> <p>\$385+GST</p>
<p>Standard Adjusta Point with Single Row 45mm Closer</p> <p>Part No. PMB64611x24</p> <p>\$260+GST</p>	<p>Liquid Adjusta Point with Single Row 45mm Closer</p> <p>Part No. PMB65611x24</p> <p>\$290+GST</p>

ADJUSTA-POINT AND HOLDER

The NT19 Adjusta-Point is the latest and recommended Point & Holder system for C-Shank tynes.

KEY FEATURES

- HEIGHT ADJUSTABLE with three different settings to allow for lowering of point as it wears or for more below the seed cultivation if desired.
- SECURE BOLTING ARRANGEMENT by using a u-bolt for the pointholder to help prevent sideways movement if the tine bolt becomes loose or worn. There is only one tyne bolt which is easily accessible.
- COMPATIBLE with current range of Agmaster boot assemblies such as Multi-Boot, NT19 Rigid Boots & Brackets and FlexiBoots.
- ADAPTABLE for use with our popular NT11 Rigid Seeding Boots by using a customised u-bolt.
- LIQUID point options available.
- EASY ACCESS M12 PIN & R-clip.



ADJUSTA-POINT & HOLDER REPLACEMENTS

<p>Adjusta-Point Standard 14mm</p> <p>Part No. PT5640</p> <p>\$85+GST</p>	<p>Adjusta-Point Liquid 14mm</p> <p>Part No. PT5650</p> <p>\$110+GST</p>	<p>Adjusta-Point Holder</p> <p>Part No. HL5610</p> <p>\$25+GST</p>
--	---	---

MULTI-BOOT ONLY ASSEMBLIES

<p>MultiBoot only with 95mm Paired Row Seeker Wing</p> <p>Part No. BMB1x29</p> <p>\$230+GST</p>	<p>MultiBoot only with Single Row 45mm Closer</p> <p>Part No. BMB1x24</p> <p>\$125+GST</p>
<p>MultiBoot only with 75mm Paired Row Seeker Wing</p> <p>Part No. BMB1x27</p> <p>\$220+GST</p>	<p>Dry Fertiliser Boot</p> <p>Part No. FB5310</p> <p>\$50+GST</p>

MULTI-BOOT C-SHANK

The Multi-Boot seeding system is a modular kit for double-bolt c-shank tynes which allows flexibility to choose between multiple paired-row and single-row closing tool options.

KEY FEATURES

- Multiple closing tool options with flexibility to easily alternate between paired and single-row depending on conditions and crop type.
- Compatible with both NT19 Adjusta-Point and NT11 Point & Holder systems.
- Optional dry fertiliser boot is available for dual shoot systems.
- There is provision for liquid down the knife point slot and/or wetter with the seed.
- A secure bolting arrangement on the closing tool and dry fertiliser boot.
- Bracket options to suit 50mm Flat C-Shank tines and 30mm Edge-On tynes.



COMPLETE KITS

For a complete kit price, add price of your preferred point and closer option to either the standard or liquid base price.

1. Kit Base Price Standard

\$125+GST

Liquid

\$130+GST



2. Adjusta-Point Options Standard

Lo-Thro PT5640

\$85+GST

Straight PT5660

\$85+GST

Lo-Thro PT5650

\$110+GST

Straight PT5670

\$110+GST



3. Closing Tool Options Paired Row

95mm Seeker Wing (Rows 75mm apart) SW5290

\$155+GST

85mm Seeker Wing (Rows 65mm apart) SW5280

\$145+GST

75mm Seeker Wing (Rows 55mm apart) SW5270

\$145+GST

Single Row 45mm Closer CL5240

\$50+GST



4. Optional Extras

Stainless Tube for Seed Wetter (One required per seed row) LF5520

\$5+GST

Dual-Shoot Dry Fertiliser Boot FB5310

\$50+GST



PRESS WHEELS

Agmaster Presswheels offer flexibility to suit all seeding conditions. The presswheels mount to a false bar behind the last rank of seeding tines.

Presswheel module as shown:

With 50mm Flat, 70mm V or 95mm V tyre profiles

\$430+GST

With 100mm W tyre profiles

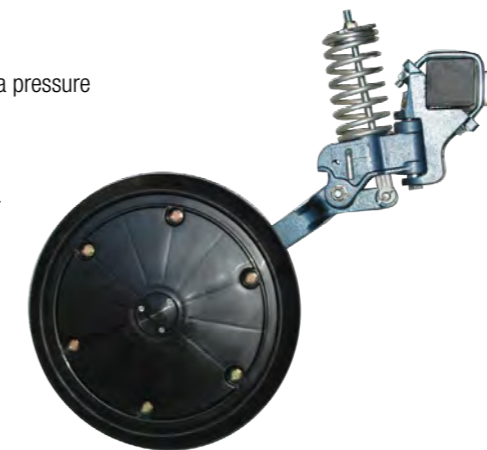
\$450+GST

Optional inner spring for extra pressure

\$15+GST

Optional offset wheel spacer for clay shedding

\$20+GST



70mm "V" Presswheel Module.

WITH GREASABLE HUBS



- Individually mounted for independent pressure
- Self tracking
- Semi pneumatic tyres for soil shedding
- Down pressure adjustable
- Can be lifted and locked when not required
- Light weight but robust - module weight 10kg



PRIMARY
SALES AUSTRALIA



SEEDING
PARTS SALE ON NOW

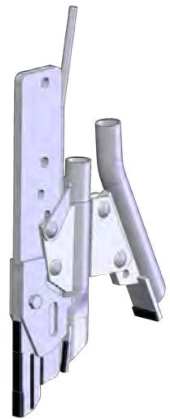
MORRIS QUANTUM C2 CONTOUR



PRIMARY
SALES AUSTRALIA

HEAD TO www.mcintoshandson.com.au/parts FOR FULL CATALOGUE

TINE LEG WITH IN-LINE DUAL SHOOT > FOR ACCRETIVE SOIL CONDITIONS



TINE LEG (TO SUIT REPLACEABLE POINT)
INCL. 2 X B&N.

MO-C2-TL.....\$164.50+GST

WEAR ENHANCED, HEIGHT-ADJ REPLACEABLE
POINT INCL. B&N

MO-C2-PF.....\$106.00+GST

DEEP BANDING, ADJ. FERTILISER TUBE FOR
OPTIMUM SEPARATION INC 4X B&N

PHX-DS-FT2\$112.50+GST

10MM LIQUID TUBE

MO-C2-LIQ\$37.00+GST

ADJ SEED TUBE WITH 40MM CLOSER

MO-C2-STC-40\$79.50+GST

OPTIONS



HEAVY DUTY 16MM WEAR ENHANCED, HEIGHT-
ADJ. REPLACEABLE POINT INCL. B&N

MO-C2-PF16.....\$136.50+GST



ADJ SEED TUBE WITH 25MM CLOSER

MO-C2-STC-25\$85.00+GST



ADJ SEED TUBE WITH (CURVE) 40MM CLOSER

MO-C2-STC-40C2.....\$82.50+GST



REVERSIBLE RESIDUE DEFLECTOR

MO-C2-RD.....\$44.50+GST

TINE LEG WITH IN-LINE DUAL SHOOT > FOR SANDY/LOAMY SOIL CONDITIONS



TINE LEG (TO SUIT REPLACEABLE POINT)
INCL. 2 X B&N.

MO-C2-TL.....\$164.50+GST

WEAR ENHANCED, HEIGHT-ADJ REPLACEABLE
POINT INCL. B&N

MO-C2-PF.....\$106.00+GST

DEEP BANDING, ADJ. FERTILISER TUBE (INC 4X B&N)
FOR OPTIMUM SEPARATION

PHX-DS-FT2\$112.50+GST

10MM LIQUID TUBE

MO-C2-LIQ\$37.00+GST

ADJ SEED TUBE WITH(CURVE) 40MM CLOSER

MO-C2-STC-40C2.....\$82.50+GST

OPTIONS



HEAVY DUTY 16MM WEAR ENHANCED, HEIGHT-ADJ.
REPLACEABLE POINT INCL. B&N

MO-C2-PF16.....\$136.50+GST



ADJ. FERTILISER TUBE (INC 4 X B&N)

PHX-DS-FTN.....\$72.50+GST



10MM LIQUID TUBE

MO-C2-LIQ.....\$37.00+GST



ADJ SEED TUBE WITH 25MM CLOSER

MO-C2-STC-25.....\$85.00+GST



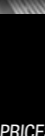
ADJ SEED TUBE WITH 40MM CLOSER

MO-C2-STC-40\$79.50+GST



ADJ SEED TUBE (CURVE) WITH 55MM CLOSER

MO-C2-STC-55C2.....\$115.00+GST



ADJ SEED TUBE 60MM Y-TAIL

MO-C2-ST-YTAIL\$130.00+GST

REVERSIBLE RESIDUE DEFLECTOR

MO-C2-RD.....\$44.50+GST

**WETTER
TUBE
AVAILABLE FOR
SEED TUBES**

CULTIVATORS

12MM HEAVY DUTY KNIFE
TUNGSTEN CARBIDE ON LEADING EDGE
PR-97.....\$104.00+GST

16MM HEAVY DUTY KNIFE
TUNGSTEN CARBIDE ON LEADING EDGE
PR-87.....\$133.00+GST

4" COMBINE POINT, T.C.
TIPPED
PR-3-T.....\$41.00+GST



SCARIFIERS

8" LOW-PROFILE SWEEP
T.C. TIPPED
PR-14-T.....\$73.50+GST

7" SWEEP T.C. TIPPED
PR-13-T.....\$64.50+GST

2 1/2" RIPPER T.C. TIPPED
PR-11-T.....\$53.00+GST



SEEDING BOOT SELECTION - TO SUIT 32MM OD DELIVERY HOSE

STANDARD FLEXI BOOT
ST-RFB.....\$49.00+GST



**TOP SPIGOT OF FLEXIBOOT
CAN BE SLEEVED TO SUIT
SMALLER HOSE**

LOW-MOUNT FLEXI BOOT
HOSE MOUNTS LOWER TO MATCH LONG POINTS
AND AVOID BRACKET DAMAGE ON BREAKOUT
ST-RFB-LM.....\$53.00+GST



STRAIGHT TAIL (45MM LONG)
ST-RFBTAIL-45.....\$21.00+GST



CURVED TAIL
ST-RFBTAIL-C.....\$23.00+GST



32, 35 & 38MM TAIL
NOT SUITED TO ROCKY CONDITIONS
ST-ADJ.....\$59.50+GST



**PROVEN IN
AUSTRALIAN
CONDITIONS**

THE SHANK AND POINT COMBINATIONS ALLOWS FITMENT OF SINGLE AND DOUBLE SHOOT OPTIONS OR THE MORRIS PAIRED ROW BOOT AND PSA WING COMBINATIONS, ALL WITH OR WITHOUT LIQUID TUBE AND RESIDUE DEFLECTOR.

SALE ENDS MAY 31ST

*TERMS AND CONDITIONS APPLY. SEE IN STORE FOR FULL DETAILS.
PRICING AND SPECIFICATIONS ARE SUBJECT TO CHANGE.
NOT ALL PRODUCTS LISTED ARE AVAILABLE IN ALL DEALERSHIPS.
PRICES EXCLUDE GST, EXCLUDE DEALER INSTALLATION AND/OR FREIGHT CHARGES.

McINTOSH & SON
www.mcintoshandson.com.au

MORRIS QUANTUM C2 CONTOUR

SLOT LOCK RANGE

NEW RELEASE!

- Height adjustable point
- Excellent wear life
- Fits Ausplow adaptor
- Slot lockers free with points



Slot Locker
Part No. PT-1120
FREE

Slot Lock Point
Part No. PT-1115
\$60+GST

Slot Lock Hardfaced
Part No. PT-1116
\$70+GST

Slot Lock SLL
Part No. PT-1117
\$80+GST

MORRIS QUANTUM SEEDING KIT



SINGLE SHOOT
Part No. PC-2001
\$351+GST

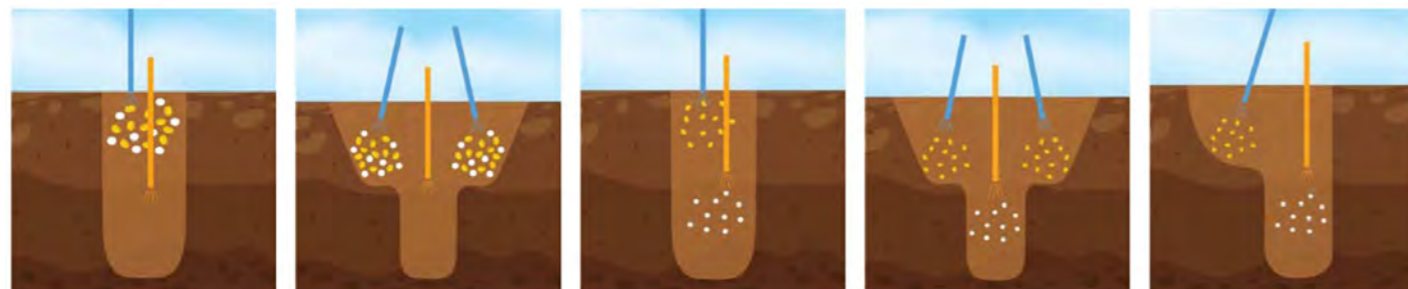


DOUBLE SHOOT
Part No. PC-2002
\$408+GST

- KEY FEATURES**
- Set seed depth with 3 height settings
 - 6 backshoots to choose for desired seed placement
 - Deep banded liquid and granular fertiliser placement for double shoot
 - Height adjustable point
 - Different point options to suit your conditions and seeding system

SEED PLACEMENT

Single Shoot Single Row Single Shoot Paired Row Double Shoot Single Row Double Shoot Paired Row Double Shoot Side Banded



Key:
■ Seed ■ Fertiliser ■ Liquid Fertiliser ■ Soil Wetter

SLOT MATE RANGE



Slot Mate Vertical
12mm, 15mm or SSL
FROM \$77+GST

Slot Mate V Short
12mm or 15mm
FROM \$76+GST

Slot Mate Straight
12mm, 15mm or SSL
FROM \$77+GST

Slot Mate Dyna
FROM \$76+GST

Slot Mate V Flexi
FROM \$99+GST

Slot Mate Razor
15mm or SSL
FROM \$93+GST

Slot Mate E Adaptor
FROM \$27+GST

Slot Mate Adaptor
7/16" or 1/2"
FROM \$16+GST

Slot Mate Sweep
4", 6", 8", 10" or 12"
FROM \$71+GST

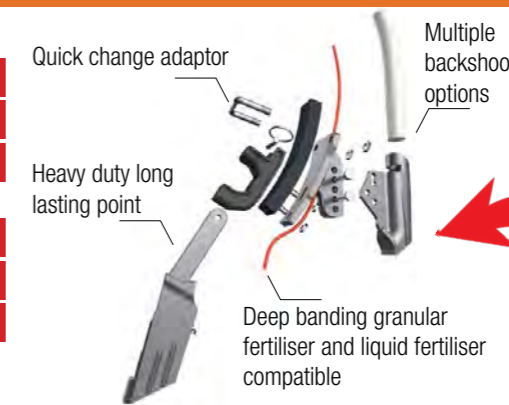
POINT BOOT KITS

SINGLE SHOOT

Single Row Point Boot Kit	PB-1000	\$228+GST
Paired Row Point Boot Kit	PB-1100	\$254+GST
Flexi Point Boot Kit	PB-1200	\$258+GST

DOUBLE SHOOT

Single Row Point Boot Kit	PB-2000	\$249+GST
Paired Row Point Boot Kit	PB-2100	\$274+GST
Flexi Point Boot Kit	PB-2200	\$281+GST



**1 ADAPTOR
20+ POINTS!!**

VERSATILE, DURABLE, SIMPLE.
Over 20 points and 7 backshoots to choose from.
Accurate seed placement for the toughest conditions.

INLINE SERIES SEEDING KIT

	Edge On Tine	Single Row	PB-2403	\$319+GST	CURVED - SUIT C-SHANK	Single Row	IS-1008	\$238+GST	
	C-Shank Tine	Single Row	PB-2408	\$319+GST		Side Banded	IS-1007	\$249+GST	
	Edge On Tine	Side Banded	PB-2402	\$330+GST		Paired Row	IS-1006	\$238+GST	
	C-Shank Tine	Side Banded	PB-2407	\$330+GST		FLAT - SUIT EDGE ON	Single Row	IS-1003	\$238+GST
	Edge On Tine	Paired Row	PB-2401	\$319+GST			Side Banded	IS-1002	\$249+GST
	C-Shank Tine	Paired Row	PB-2406	\$319+GST			Paired Row	IS-1001	\$238+GST

LIQUID DISTRIBUTION SET UP ON AIR SEEDER TILLAGE BARS

FRICITION TUBING

Friction Tube is positioned within the Terminal Assembly of the Stacker Distribution System and must be located downstream from the 2 psi Check Valves to ensure that the Check Valves can function correctly.

There is a lag time associated with this restriction method as liquid in the tube may drain back to the check valve due to it being located downstream.

There are two bore sizes available in FIBP tube, 1.2mm and 1.8mm.

There are three OD's to facilitate adaptation to differing stainless steel delivery tubing at the openers.

Back pressure for this restrictive method is determined by the product SG (Specific Gravity), application rate and the corresponding length of friction tube.

- Universal Restrictive Device.
- FIBP (Friction Induced Back Pressure).
- Useful for highly viscous liquids or liquid blends with compatibility issues.
- Useful for achieving very low rate application with unbroken streams.
- Relatively large bore, particles can easily pass through the tube.
- Not as prone to product build-up from elements such as zinc.

AIR TOOL - FIBP 3MM FRICITION TUBE

ORDER CODE: LQS-AT3F

- 8mm Tees to split flow from manifold
- 8mm Delivery Tube
- Inline Check Valve
- 8-4mm Stem Reducer
- 4mm OD x 1.8 ID Purple (30mm Length) Insert
- 4-3mm Stem Reducer
- Line Locker
- 1/4" V3 Rubber Union
- 3mm OD x 1.2 ID Orange Friction Terminal Tube
- Fits to 1/4" (6.35mm)

OD stainless steel delivery tube (not included).
Permits large bore. Ultra-low to high application range. Ability to apply difficult materials.

AIR TOOL - FIBP 5MM X 1.2MM ID FRICITION TUBE

ORDER CODE: LQS-AT5F

- 8mm Tees to split flow from manifold
- 8mm Delivery Tube
- Inline Check Valve
- 8-5mm Stem Reducer
- Line Locker
- V5 6.5mm Rubber Union
- 5mm OD x 1.2 ID Yellow Friction Terminal Tube
- Fits to 3/8" (9.53mm) OD x 1/4" (6.27mm) ID stainless steel delivery tube (not included).

Permits large bore. Ultra-low to high application range. Ability to apply difficult materials.

AIR TOOL - FIBP 4MM FRICITION TUBE

ORDER CODE: LQS-AT4F

- 8mm Tees to split flow from manifold
- 8mm Delivery Tube
- Inline Check Valve
- 8-4mm Stem Reducer
- Line Locker
- V5 6.5mm Rubber Union
- 4mm OD x 1.8 ID Purple Friction Terminal Tube
- Fits to 3/8" (9.53mm) OD x 1/4" (6.27mm) ID stainless steel delivery tube (not included).

Permits large bore. Ultra-low to high application range. Ability to apply difficult materials.

AIR TOOL - FIBP 5MM X 1.8MM ID FRICITION TUBE

ORDER CODE: LQS-AT5PBF

- 8mm Tees to split flow from manifold
- 8mm Delivery Tube
- Inline Check Valve
- 8-5mm Stem Reducer
- Line Locker
- V5 6.5mm Rubber Union
- 5mm OD x 1.8 ID Purple/Black Friction Terminal Tube
- Fits to 3/8" (9.53mm) OD x 1/4" (6.27mm) ID stainless steel delivery tube (not included).

Permits large bore. Ultra-low to high application range. Ability to apply difficult materials.

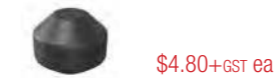
PRICING FROM **\$55+GST**

WHY CHOOSE LIQUID SYSTEMS? LIQUID SYSTEMS PROVIDES THE FARMER WITH FLEXIBILITY AND ACCURATE RATE CONTROL OVER NUTRIENT APPLICATION.



Designed for precise, even and accurate in-furrow application of single/dual liquid with straightforward operation.

Check Valve Elastomer Boot
Part No. L08050



\$4.80+GST ea

In Line Check Valve
Part No. LL08001



\$29.25+GST ea
\$5.20+GST ea

Stem Reducer OD

- 8mm-OD 4.0mm Part No. JG-PM060804E
- 8mm-OD 5.0mm Part No. JG-PM060805E
- 8mm-OD 6.0mm Part No. JG-PM060806E
- 10mm-OD 8.0mm Part No. JG-PM061008E



FROM \$4.99+GST ea

3/4" Fittings

- Barb Fitting Part No. LL08201
- Plug Fitting Part No. LL08202
- Nipple Fitting Part No. LL08203
- BSP Plug Part No. LQ-LIQ21
- Single Union Ball Valve Part No. BJ-UV075FP



\$10.00+GST ea
\$10.80+GST ea
\$9.60+GST ea
\$7.90+GST ea
\$32.10+GST ea

Replacements for manifolds, check valves and 8mm push-in fittings

- 8mm Cartridge Collett with O-ring Part No. JG-PCM2808E
- 8mm Collet Part No. JG-CP-C08M
- O-ring Part No. JG-CA-R08M-S



\$2.20+GST ea
\$2.20+GST ea
\$0.50+GST ea

Rubber Unions

- 5mm V4 to suit 9.53mm (3/8") SS Tube Part No. L08016
- 6.5mm V5 to suit 9.53mm (3/8") SS Tube & fit Line Locker Part No. L08077
- 6.35mm V3 suits 6.35mm (1/4") SS Tube & fit Line Locker Part No. L08015



FROM \$6.50+GST ea

Liquid Tube

- Part No. BL-204385-03200S
- Part No. BL-204395-200S
- Part No. BL-204390-200R
- Part No. BL-204394-200R



\$1.95+GST p/metre
\$2.49+GST p/metre
\$1.63+GST p/metre
\$2.49+GST p/metre

OTHER COLOURS + SIZES AVAILABLE

Liquid Lines Wrapping Guide

Part No. L08109



\$4.90+GST ea

Line Locker

Part No. LL08212



\$5.52+GST ea

Line Meters

0.55-2.5mm (assorted colours)



\$4.77+GST ea

8mm Shut Off Valve

Part No. JG-PPMSV040808W



\$15.05+GST ea

8mm 2-Way Divider

Part No. JG-PM2308E



\$8.45+GST ea

Bertolini Enhanced Pump (Suit GEN4 & GEN5)

Part No. LQS-2136 EH PUMP



\$2,296.67+GST ea

Pushfit Separation Tool

Part No. LQ-COM-0013-SM



\$7.15+GST ea

Tube Snip Tool

Part No. JG-TSNIP



\$14.30+GST ea

HUGE RANGE OF TRACKS



SEEDING

PARTS SALE ON NOW

“WE’LL GET YOU ON THE RIGHT TRACK”

YOUR ONE STOP SHOP

- ✓ Access to multiple brands for all machine types
- ✓ Fitted & aligned on site by our experienced staff
- ✓ Backed up with the knowledge and support you've come to expect from our dealerships



SNATCH STRAPS

DON'T GET STUCK IN THE MUD



- ✓ Anti-recoil design for maximum safety
- ✓ Rot & mildew resistant
- ✓ Ability for 20-30% additional stretch
- ✓ Stronger, lighter & safer than chain

SNATCH STRAPS

100 TONNE		
15m	Part No. SNST100T15M	\$2,230+GST
20m	Part No. SNST100T20M	\$2,930+GST
50 TONNE		
15m	Part No. SNST50T15M	\$1,030+GST

BRIDAL STRAPS

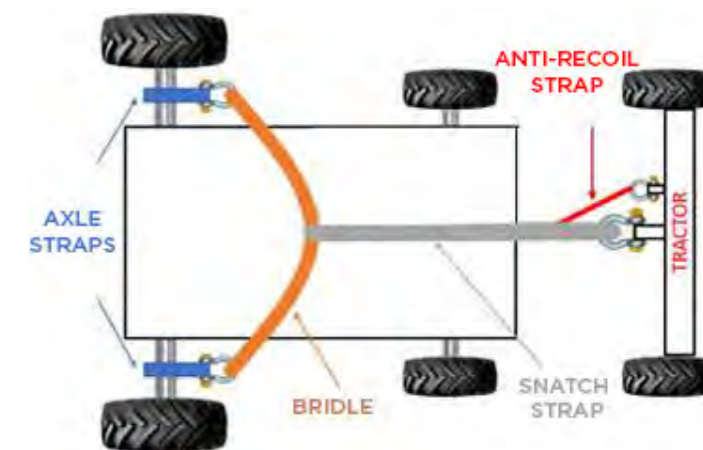
100 TONNE		
6m	Part No. BRD100T6M	\$590+GST
50 TONNE		
5m	Part No. BRD50T5M	\$365+GST

AXLE STRAPS (PAIR)

Suits 100T snatch straps	Part No. AXST100T2M	\$290+GST
Suits 50T snatch straps	Part No. AXST50T2M	\$220+GST

RATED BOW SHACKLES

3.2 tonne	Part No. BS3.2T	\$12+GST
4.7 tonne	Part No. BS4.7T	\$15+GST
12 tonne	Part No. BS12.0T	\$55+GST
17.5 tonne	Part No. BS17.5T	\$80+GST
25 tonne	Part No. BS25T	\$160+GST
35 tonne	Part No. BS35T	\$275+GST



“UNMATCHED performance and durability”

Versatile 6500 Series 30”
Part No. VE-86057259

\$18,156+GST EA

Challenger MT 6500 Series 30” Extreme
Part No. 581866D1

\$26,000+GST EA

New Holland T9 36”
Part No. 48008478

\$23,995+GST EA

Case IH Rowtrac/Magnum I
New Holland T8 4500 Series 24”
Part No. 51417221

\$14,300+GST EA

Case IH Rowtrac 4500 Series 30”
Part No. 51417222

\$15,500+GST EA

Case IH Quadtrac 6500 Series 30” Extreme
Part No. 84606975

\$14,990+GST EA



LIMITED STOCK - GET IN QUICK!



SALE ENDS MAY 31ST

*TERMS AND CONDITIONS APPLY. SEE IN STORE FOR FULL DETAILS. PRICING AND SPECIFICATIONS ARE SUBJECT TO CHANGE. NOT ALL PRODUCTS LISTED ARE AVAILABLE IN ALL DEALERSHIPS. PRICES EXCLUDE GST, EXCLUDE DEALER INSTALLATION AND/OR FREIGHT CHARGES.

McINTOSH & SON
www.mcintoshandson.com.au

SPRAY NOZZLES

WE WON'T BE BEATEN ON PRICE!



SEEDING PARTS SALE ON NOW

TeeJet TECHNOLOGIES

>>>> **FACTORY DIRECT ACCESS**

IN STOCK AND AVAILABLE NOW!

Crop protection product application in crops occurs at different growth stages. The right spray tip selection will result in maximum coverage and efficacy while reducing drift. TeeJet has several spray tips that provide the perfect balance of coverage and drift reduction. Check out some examples of TeeJet spray tips that most suit applications in corn, soybean, and wheat.

Seat Washer Rubber (Nitro)	\$1.00+GST	Part No. CP19438-EPR
Diaph. Rubber 21950	\$0.65+GST	Part No. CP21953-EPR
Seat Washer Rubber (Hardi)	\$1.17+GST	Part No. CP23308-EPR
Polypro Strainer 100 mesh	\$2.29+GST	Part No. 8079-PP-100
Polypro Strainer 50 mesh	\$2.29+GST	Part No. 8079-PP-50
1" Single Nozzle Body	\$7.71+GST	Part No. QJ17560A-1-NYB
Single Swivel Nozzle	\$8.32+GST	Part No. QJ8600-1/4-NYB
363C 3 Outlet 1"	\$27.50+GST	Part No. QJ363C-1-NYB
Air Chemsaver Shutoff	\$69.45+GST	Part No. 55300
Boom Section Valve	\$200.00+GST	Part No. 451BEC-2F-C03PG-P
Section Valve Motor	\$295.96+GST	Part No. 50515-22CP03



XR TeeJet® Extended Range Flat Spray Tips
Polymer 110 Deg (Grn, Yel, Lil, Blu, Red)
Part No. XR1100##

AIXR TeeJet® Air Induction XR Flat Spray Tips
Polymer 110 Deg (Grn, Yel, Lil, Blu, Red)
Part No. AIXR1100##

Turbo TeeJet® Wide Angle Flat Spray Tips
Polymer 110 Deg (Grn, Yel, Lil, Blu, Red)
Part No. TT1100##

Turbo TeeJet® Induction Flat Spray Tips
Polymer 110 Deg (Grn, Yel, Lil, Blu, Red)
Part No. TTI1100##

TeeJet® Streamjet SJ3 Fertilizer Nozzles
Polymer 110 Deg (Grn, Yel, Blu, Red)
Part No. SJ3-04-VP

* Some nozzles are available in ceramic, stainless steel and 80 degree angles



PRECISE, DEPENDABLE AND ACCOUNTABLE
HARDI has produced sprayers since 1957 - meeting the needs of all farmers and crops worldwide.

Filters FROM \$5.78+GST EA	Caps & Fittings FROM \$5.04+GST EA	Quintastream FROM \$24.00+GST EA	Minidrift Nozzles FROM \$15.00+GST EA	Minidrift Duo FROM \$23.10+GST EA
Injet Nozzles FROM \$23.00+GST EA	Low Drift Nozzles FROM \$13.00+GST EA	110° Flat Fan Nozzles FROM \$9.45+GST EA	<p><i>The nozzle can dominate the sprayer performance. All of the sprayer components are important for safe and effective use, but it is the nozzle that can have the major influence on the performance of the crop protection product that it will apply.</i></p>	

YOUR BANJO SPECIALISTS
Liquid Handling Products

OUR DIRECT FACTORY ACCESS
MEANS: SAVINGS WITH FACTORY PRICES
ACCESS TO FULL BANJO CATALOGUE
FASTER DELIVERY THAN EVER



1" Worm Screw Clamp	\$13.96+GST	Part No. FC100	2" FP Manifold Gasket with Rib EPDM	\$3.29+GST	Part No. M221G
2" Standard Port Worm Screw Clamp	\$16.04+GST	Part No. FC200	1" Tee Strainer Gasket-FKM	\$12.26+GST	Part No. LST100-GV
2" Full Port Worm Screw Clamp	\$17.63+GST	Part No. FC220	2" FKM Gasket	\$25.24+GST	Part No. 200GV
3" Worm Screw Clamp	\$24.26+GST	Part No. FC300	1" Male Thread x 1" Hose Shank	\$2.43+GST	Part No. HB100
1-1/2" EPDM Gasket	\$1.47+GST	Part No. 150G	3/4" MPT x 3/4" Hose Shank-90 Degree	\$2.46+GST	Part No. HB075-90
2" EPDM Gasket	\$1.53+GST	Part No. 200G	1/2" MPT x 1/2" Hose Shank-90 Degree	\$2.37+GST	Part No. HB050-90
1" EPDM Gasket for Manifold	\$3.09+GST	Part No. M100G	1" MPT x 1" Hose Shank-90 Degree	\$3.14+GST	Part No. HB100-90

MICRO MATIC CLOSED SYSTEMS FOR AG & SPECIALTY CHEMICALS

3 KEY COUPLERS		
Dispense Coupler Double Check Valve - Straight Outlet	\$474+GST	Part No. 6408
Dispense Coupler Double Check Valve - 90 Degree Outlet	\$474+GST	Part No. 6409
Dispense Coupler Single Check Valve - Straight Outlet	\$291+GST	Part No. 744-003
Composite Dispense Coupler - Straight Outlet	\$172+GST	Part No. 7440
4 KEY COUPLERS		
Dispense Coupler 4 Key Coupler - Straight Outlet	\$291+GST	Part No. 744-013
RINSERS		
Coupler Rinsing Socket - 3 Key Coupler	\$161+GST	Part No. 2DV3-001
Coupler Rinsing Socket - 4 Key Coupler	\$140+GST	Part No. 2DV4-001-N
SEAL KITS		
Coupler Seal Kit - For RSV Rebuildable Dispense Coupler	\$57+GST	Part No. 729-826
Coupler Seal Kit - To suit 24 gpm Couplers	\$77+GST	Part No. 729-848



SALE ENDS MAY 31ST

*TERMS AND CONDITIONS APPLY. SEE IN STORE FOR FULL DETAILS. PRICING AND SPECIFICATIONS ARE SUBJECT TO CHANGE. NOT ALL PRODUCTS LISTED ARE AVAILABLE IN ALL DEALERSHIPS. PRICES EXCLUDE GST, EXCLUDE DEALER INSTALLATION AND/OR FREIGHT CHARGES.

McINTOSH & SON
www.mcintoshandson.com.au

BatchMaster 1200



SEEDING

PARTS SALE ON NOW

BATCHMASTER 1200 FEATURES

Batchmaster is the largest chemical batching unit on the market holding 1200 litres. Designed and made in Australia using Australian steel, the Batchmaster 1200 is packed with unique features to streamline your on farm chemical handling.

BM1200 Standard	\$11,899+GST
BM1200S With scales	\$15,150+GST



- Banjo Venturi Induction system for fast transfer from envirodrums and shuttles
- Tank rinse valve for easy cleaning
- Forklift slipper points and tie-down straps for easy transportation
- Hot dipped galvanised frame
- Easy start GX200 Honda Motor

- Fold down work platform
- 3" Banjo taps for fast and efficient transfer of mixed chemical to your boom spray
- 3" Banjo pump capable of delivering up to 1100 litres per minute
- Twin 2" Banjo agitation valves



NEW SCALES

The viscosity of some chemicals can change greatly according to temperature. This can lead to inaccurate measurements using flow meters.

The weight of a chemical per litre never changes, simply measure a litre of chemical and multiply by the amount needed.

This results in more accurate measurements, cost savings, and efficient spraying.



ROLLER CHAIN

DIRECT FACTORY ACCESS
GREAT PRICE
GREAT SERVICE

RENOLD

A&S ROLLER CHAIN

Renold A&S roller chain has long been recognised for its high quality, affordability, reliability and performance. It has earned a strong reputation for its excellent wear resistance, high fatigue resistance and durability.

- Sizes range from 4mm to 2.5 inch pitch
- Solid extruded bush
- Solid extruded roller
- Wider waisted plates
- Hardened and shot-peened plates

Available:

- Single Strand
- Double Strand
- Triple Strand

ANSI G7 STANDARD ROLLER CHAIN

Pursuing the ultimate in quality, Tsubaki has created the world's highest standard of roller chain.

Available:

- Single Strand
- Double Strand
- Triple Strand
- Quadruple Strand



HT SERIES CHAIN

- 10% to 20% higher tensile strength
- Higher shock load resistance
- Best suited for low operating speeds up to 50 m/min

Available:

- Single strand



STAINLESS STEEL METERING BODIES ADVANTAGES

- ✓ DURABLE high quality 304 stainless steel.
- ✓ EASY installation.
- ✓ MAINTAINS all the functions of the original meter housing.
- ✓ REDUCED MAINTENANCE while remaining fully serviceable.
- ✓ Smooth internal construction and design for EASY CLEAN OUT.
- ✓ 100% CORROSION-RESISTANT materials makes it ideal for granular fertiliser.

REPLACE YOUR NON-STAINLESS STEEL OEM VERSION AND PAY LESS



MORRIS 7000 SERIES

Metering Unit	Part No. M7MB	\$2,750+GST
Collection Box	Part No. M7CB	\$847+GST
Clean Out Plate	Part No. M7CBCOP	\$605+GST



MORRIS 8000 SERIES

Metering Unit	Part No. M8MB	\$2,710+GST
Main Clean Out Door	Part No. M8COD	\$315+GST
Double Shoot Body	Part No. M8FB	\$2,662+GST
Bottom Collector Body	Part No. M8CB	\$1,090+GST



SALE ENDS MAY 31ST

*TERMS AND CONDITIONS APPLY. SEE IN STORE FOR FULL DETAILS.
PRICING AND SPECIFICATIONS ARE SUBJECT TO CHANGE.
NOT ALL PRODUCTS LISTED ARE AVAILABLE IN ALL DEALERSHIPS.
PRICES EXCLUDE GST, EXCLUDE DEALER INSTALLATION AND/OR FREIGHT CHARGES.

McINTOSH & SON
www.mcintoshandson.com.au

THE PRO STANDARD. TYPE X PRO



TYPE-X™ PRO LED DRIVING LIGHTS
Part No: LEDTYPE-X-PRO
\$627.26+GST

7" TYPE-X™ SPORT
Part No: LEDTYPE-X-SRT-7INCH
\$381.81+GST

QUAD PRO LED DRIVING LIGHTS
Part No: LEDQUAD-PRO
\$481.81+GST

LOW POWER, HIGH BRIGHTNESS. LED ROCK LIGHTS



SURFACE 6 LED ROCK LIGHTS (RGB)
Part No: LEDROCK-6PCE
\$181.80+GST



SURFACE LED ROCK LIGHT (5700KW)
Part No: LEDROCK-WHT-1PC
\$33.62+GST



HYPER LED FLOOD LIGHTS 14" 120W
Part No: LEDHYPR-14-120W
\$145.44+GST



HYPER LED FLOOD LIGHTS 8" 60W
Part No: LEDHYPR-8-60W
\$105.44+GST



22 INCH ST4K 40 LED DOUBLE ROW LIGHT BAR
Part No: LEDST4K-22-40L
\$227.26+GST



T1000 LED TASK & CAMP LIGHT
Part No: LEDTASK-T1000
\$68.17+GST



T1500 LED TASK & CAMP LIGHT
Part No: LEDTASK-T1500
\$90.90+GST



CURVED 50.8 INCH ST2K SUPER DRIVE 20 LED LIGHT BAR
Part No: LEDST2K-50-20L
\$518.17+GST



T3000 LED AREA LIGHT
Part No: LEDTASK-T3000
\$127.26+GST



TYPE S LED HEAD TORCH
Part No: LEDTASK-HTTYPES
\$38.17+GST



ST3303 PRO 28.2 INCH 40 LED LIGHT BAR
Part No: LED3303-PRO-40L
\$590.90+GST



90W LED FLOOD LIGHT
Part No: LEDWORK-9L-FLOOD
\$136.35+GST



FLOOD LIGHT I 120W
Part No: LEDWORK-12L-FLOOD
\$145.44+GST



60W MINING SPEC FLOOD LED LIGHT
Part No: LEDMINE-60W
\$154.53+GST



48 WATT SQUARE LED CAMP LIGHT
Part No: LEDCAMP-48W
\$24.53+GST



SEEDING

PARTS SALE ON NOW

UHF CB RADIO AG PACK

- 5 Watt Radio with ScanSuite PLUS
- Flexible 38cm antenna, 2.1dBi gain
 - Antenna base & lead assembly
 - Stainless steel 'L-shaped' antenna bracket

Part No. TX3500SVP

GREAT VALUE

\$397+GST



5 WATT IP67 UHF CB HAND-HELD RADIO

- 5/ 1 Watt switchable transmission power
- Rugged design, IP67 ingress protection
- Up to 30 hours battery life
- Built-in LED torch
- Improved scan speed
- Rotary power/ volume control for easy operation

Part No. TX6160X

\$210+GST



XRS CONNECT UHF CB RADIO RANGE

XRS330C, XRS370C & XRS390C

- Built in Australia
- Bluetooth wireless technology
- 5 year warranty

Part No. XRS330C

\$434+GST

Part No. XRS370C

\$475+GST

Part No. XRS390C

\$500+GST



Part No. TX6160TP

TWIN PACK

\$484+GST



WATERPROOF UHF

- 5 Watt Radio
- Large tri-colour backlit display
 - Can be flush mounted
 - Built for the harsh Australian climate
 - Clearly illuminated push buttons

Part No. TX4610

\$445+GST



DSP DIN SIZE UHF

- Radio with ScanSuite
- Compact depth design allows for easy installation in confined spaces
 - Large LCD screen and user controls
 - Radio of choice for 4WD and heavy vehicle owners

Part No. TX4500S

\$445+GST



DSP COMPACT UHF

- 5 Watt Radio with ScanSuite
- Powered by digital signal processing for Pure Sound
 - 19 extra receive channels
 - Ensures more privacy and less interruption

Part No. TX3500S

\$341+GST



ACCESSORIES

MICROPHONES

MC557B Microphone, suits TX3500S
Part No. MC557B

\$43+GST



MC553B Microphone, suits TX3510/20/4500
Part No. MC553B

\$44+GST

ANTENNAS

GME offers a range of rugged, heavy duty radome antennas. The perfect blend of style and performance.

1200MM Heavy Duty Radome Antenna (6.6DBI GAIN)
Part No. AE4705B

\$189+GST

580MM Heavy Duty Radome Antenna (2.1DBI GAIN)
Part No. AE4704B

\$154+GST



CONVOY DHD (Premium Mineral Oil)

- High performance, heavy duty, low ash
- Improved shear stability, oxidation resistance and aeration control
- Manufacturer approved product to maintain vehicle warranty
- Reduces soot thickening

Part No. DHD205

DHD 20L
\$157+GST
DHD 205L
\$1141+GST
DHD 1000L
\$5186+GST



CONVOY DFX (Premium Mineral Oil)

- Full zinc, mid ash, diesel oil
- Excellent protection of engine parts
- Mid ash formulation controls combustion chamber deposits
- Resists oil thickening
- Can be used in mixed fleets
- Maintains oil viscosity in service

Part No. DFX205

DFX 20L
\$148+GST
DFX 205L
\$1067+GST
DFX 1000L
\$4845+GST



INDUS HV 68 (ZINC FREE) (Ashless Hydraulic Oil)

SUITS IHSD + MILLER NITRO

- High performance, heavy duty, low ash
- Combats rust, oxidation, wear and foaming
- Reduces sludge formation
- Can be used over a wide range of temperatures
- Fluorescent light yellow colour under UV light
- Lower start up viscosity increases energy efficiency

Part No. INDUSHV68020

INDUS HV 20L
\$147+GST
INDUS HV 205L
\$1058+GST
INDUS HV 1000L
\$4801+GST



HYDRAULIC OIL (Universal Tractor & Transmission Oil)

- Hydraulic fluid, highly refined base oils
- Lessens the chance of misapplication
- Reduces squawk and chatter from wet brake systems
- Effective anti-wear additives
- Latest technology for maximum protection

Part No. TTH205

TTH 20L
\$159+GST
TTH 205L
\$1158+GST
TTH 1000L
\$5262+GST



SALE ENDS MAY 31ST

*TERMS AND CONDITIONS APPLY. SEE IN STORE FOR FULL DETAILS. PRICING AND SPECIFICATIONS ARE SUBJECT TO CHANGE. NOT ALL PRODUCTS LISTED ARE AVAILABLE IN ALL DEALERSHIPS. PRICES EXCLUDE GST, EXCLUDE DEALER INSTALLATION AND/OR FREIGHT CHARGES.

McINTOSH & SON
www.mcintoshandson.com.au

AIR SEEDER HOSE

PVC BLACKLINE & REDLINE

BEST PRICE

25mm \$95+gst per 20m roll
Part No. SHASB025/020 & SHASR025/020
(EITHER COLOUR)

32mm \$120+gst per 20m roll
Part No. SHASB032/020 & SHASR032/020
(EITHER COLOUR)

63mm \$350+gst per 20m roll
SHASB063/020 & SHASR063/020
(EITHER COLOUR)



ALFAGOMMA BLACK RUBBER

32mm \$300+gst per 20m roll
Part No. 702AA032

51mm \$380+gst per 20m roll
Part No. 702AA051

63mm \$570+gst per 20m roll
Part No. 702AA063



LDPE

25x32mm \$104+gst per 30m roll
Part No. TGT25X31/030

32x38mm \$120+gst per 30m roll
Part No. TGT32X38/030

**PREMIUM
PRODUCT**



SEE IN STORE FOR MORE SIZES

M^cINTOSH & SON

www.mcintoshandson.com.au

ALBANY

(08) 9847 4255

albany@mcson.com.au

After Hours Service: 0427 170 012

After Hours Parts: 0456 078 368

ESPERANCE

(08) 9071 1155

esperance@mcson.com.au

After Hours Service: 0438 594 640

After Hours Parts: 0488 024 273

GERALDTON

(08) 9960 5500

geraldton@mcson.com.au

After Hours Service: 0428 215 004

After Hours Parts: 0428 215 002

KATANNING

(08) 9821 7000

katanning@mcson.com.au

After Hours Service: 0457 888 101

After Hours Parts: 0427 170 004

KULIN

(08) 9880 2556

kulin@mcson.com.au

After Hours Service: 0455 323 737

After Hours Parts: 0457 004 657

MERREDIN

(08) 9041 1099

merredin@mcson.com.au

After Hours Service: 0419 713 564

After Hours Parts: 0429 104 000

MOORA

(08) 9651 1488

moora@mcson.com.au

After Hours Service: 0428 103 490

After Hours Parts: 0429 111 728

PERTH

(08) 9475 1600

perth@mcson.com.au

After Hours Service: 0455 604 520

After Hours Parts: 0438 383 622

WONGAN HILLS

(08) 9671 1300

wongan@mcson.com.au

After Hours Service: 0428 590 594

After Hours Parts: 0419 907 821

DALBY (QLD)

(07) 4662 2288

dalby@mcson.com.au

After Hours Service: 0437 536 813

After Hours Parts: 0428 790 511